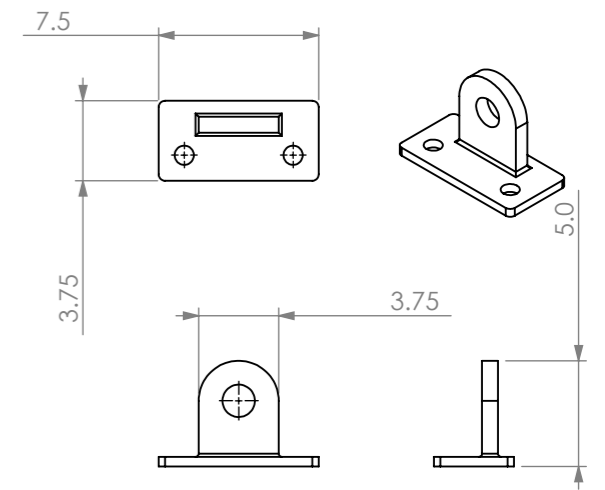
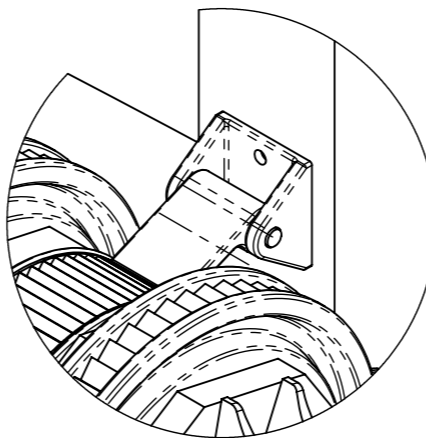
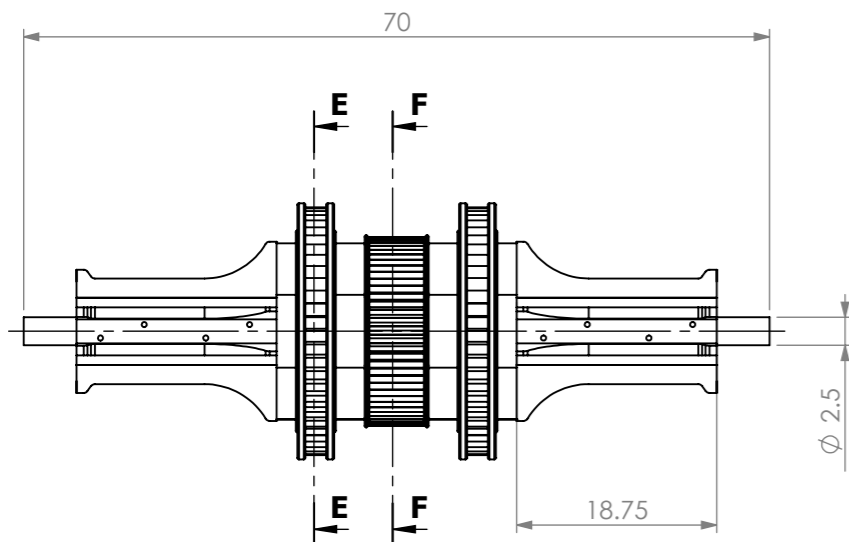


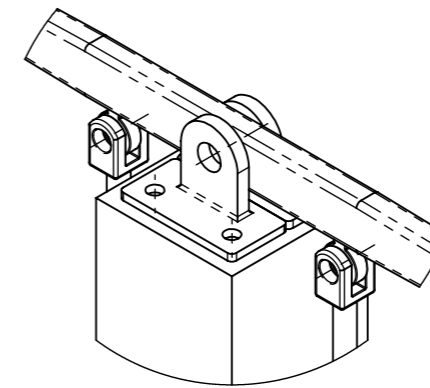
HANDLE DETAIL



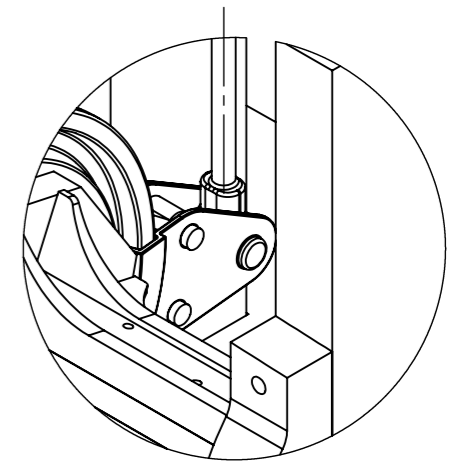
**HANDLE BRACKET DETAIL
SCALE 1 : 9**



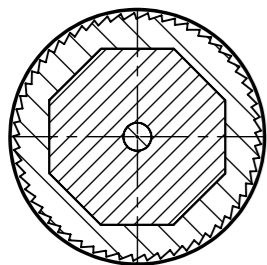
DETAIL B



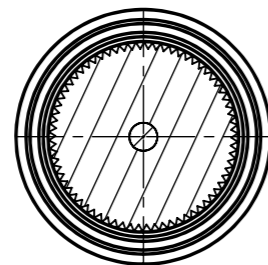
DETAIL C



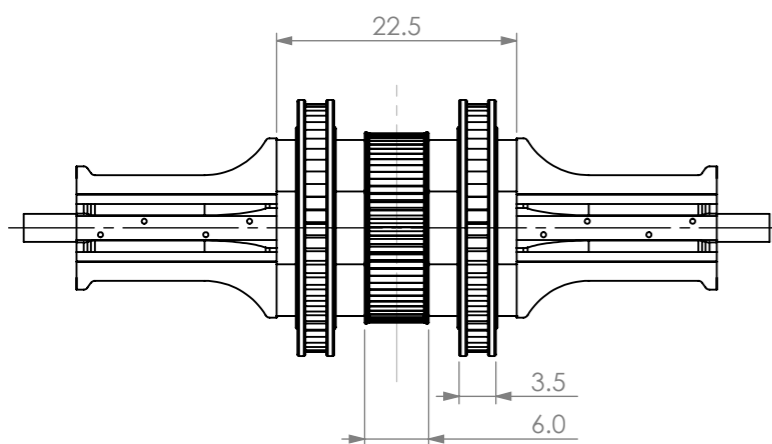
DETAIL D



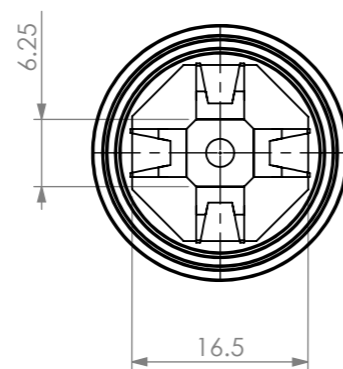
SECTION E-E



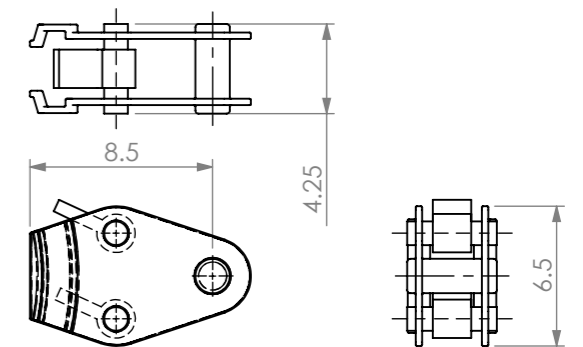
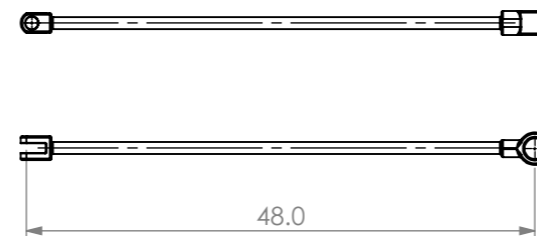
SECTION F-F



WINDLASS BARREL DETAIL



PURCHASE ROD DETAIL



**TRAVELLER DETAIL
SCALE 1 : 9**

**SCALE 1:18 (3/4" = 1'-0")
UNLESS NOTED OTHERWISE
ALL DIMENSIONS IN INCHES**

© COPYRIGHT MSW

**WINDLASS
EARLY AMERICAN**

SCALE:1:18

A3