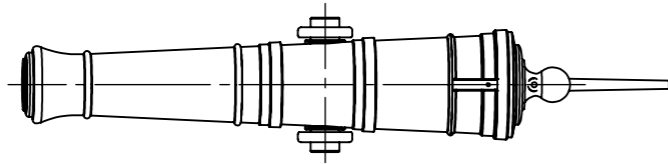
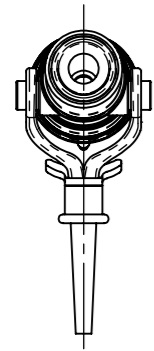


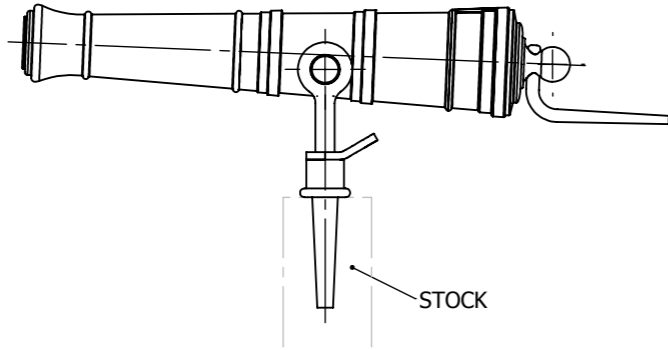
The swivel gun is just a scaled down Armstrong pattern.  
 The yoke followed several designs, the the two piece with  
 the collar allowed rapid fitting of the swivel gun  
 when required.  
 The grips were only fitted when in action.



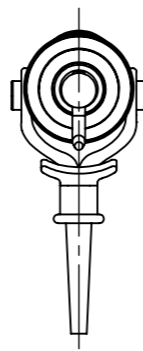
PLAN VIEW



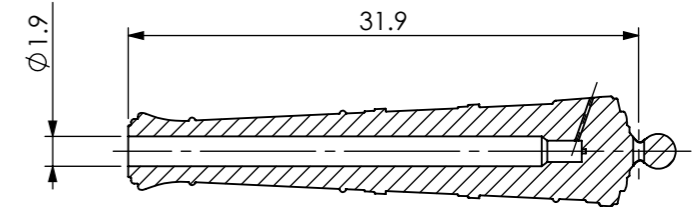
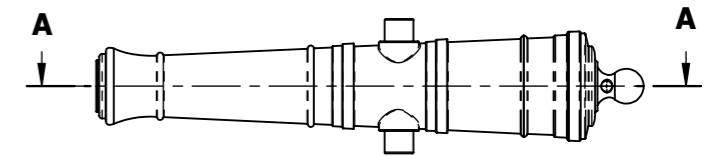
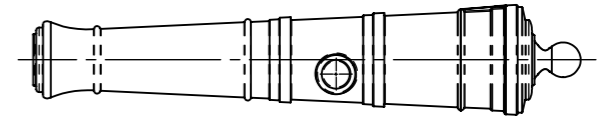
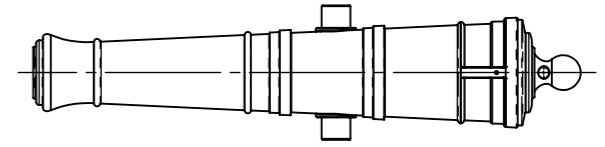
FRONT ELEVATION



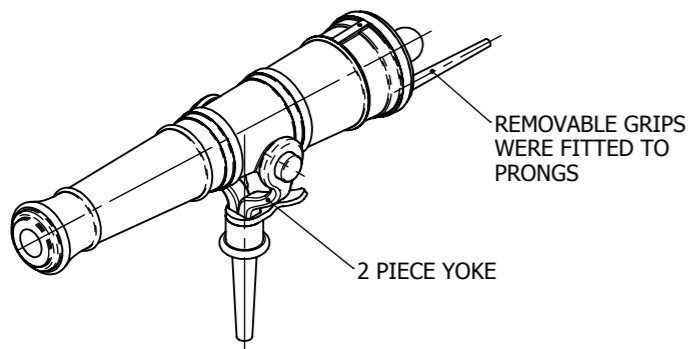
SIDE ELEVATION



REAR ELEVATION

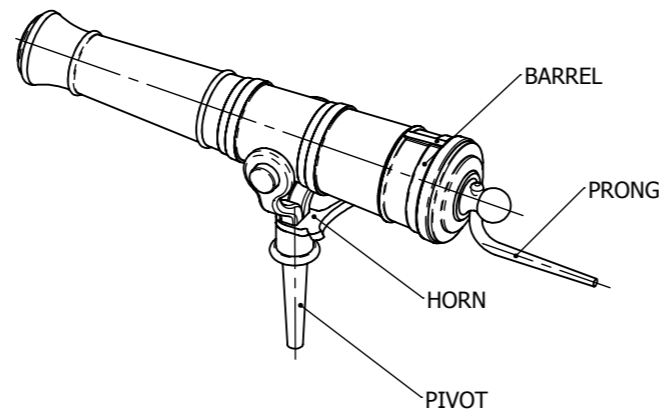


SECTION A-A



REMOVABLE GRIPS  
 WERE FITTED TO  
 PRONGS

2 PIECE YOKE



BARREL

PRONG

HORN

PIVOT

SHEET 1 OF 1

**3/4 POUND SWIVEL GUN  
 ARRANGEMENT**

SCALE:1:12

© COPYRIGHT MSW

**A3**