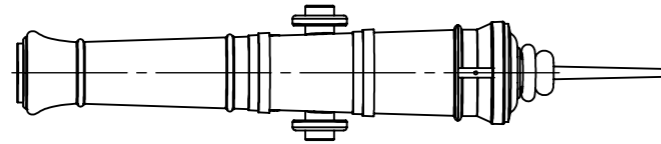
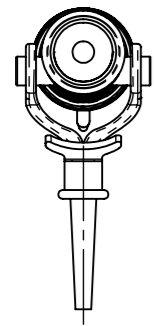


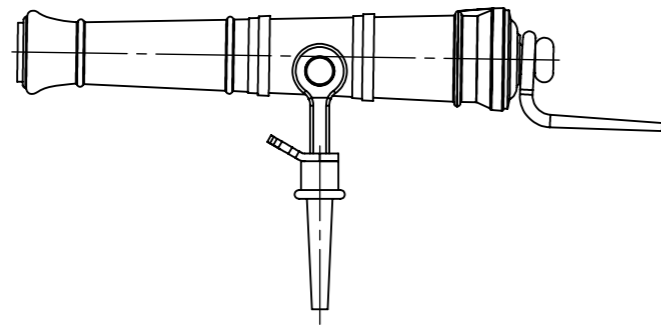
The swivel gun is just a scaled down Armstrong pattern.  
 The yoke followed several designs, the the two piece with  
 the collar allowed rapid fitting of the swivel gun  
 when required.  
 The grips were only fitted when in action.



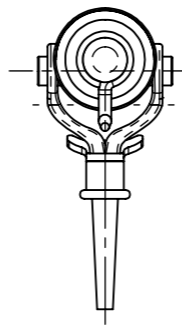
PLAN VIEW



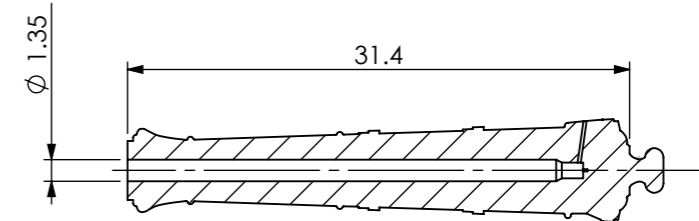
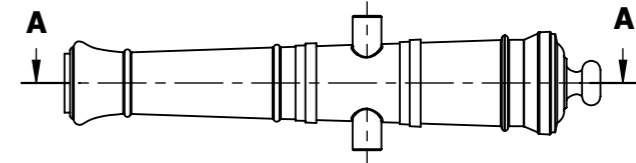
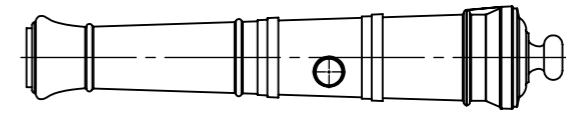
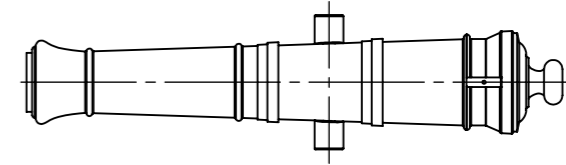
FRONT ELEVATION



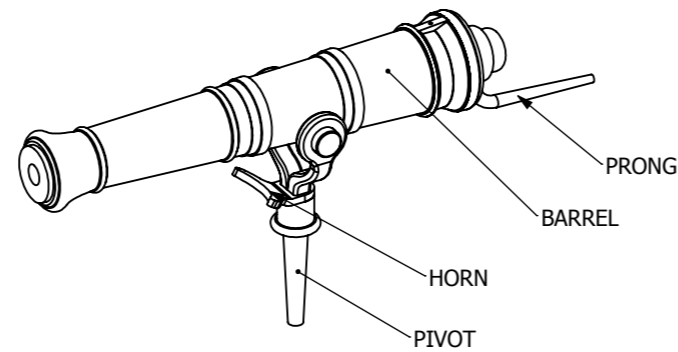
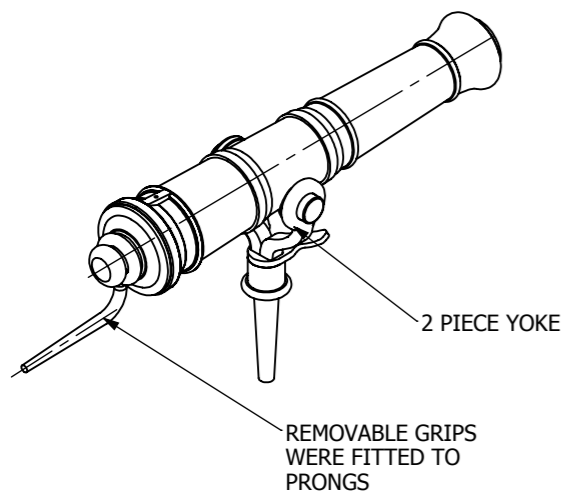
SIDE ELEVATION



REAR ELEVATION



SECTION A-A



SHEET 1 OF 1

**1/2 POUND SWIVEL GUN  
ARRANGEMENT**

© COPYRIGHT MSW

SCALE:1:12

**A3**