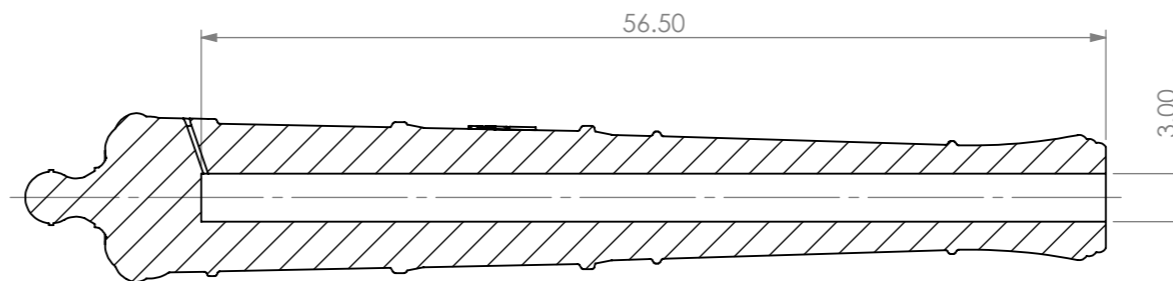
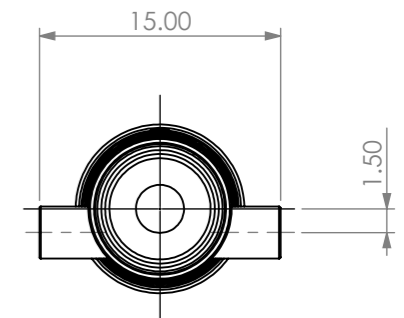
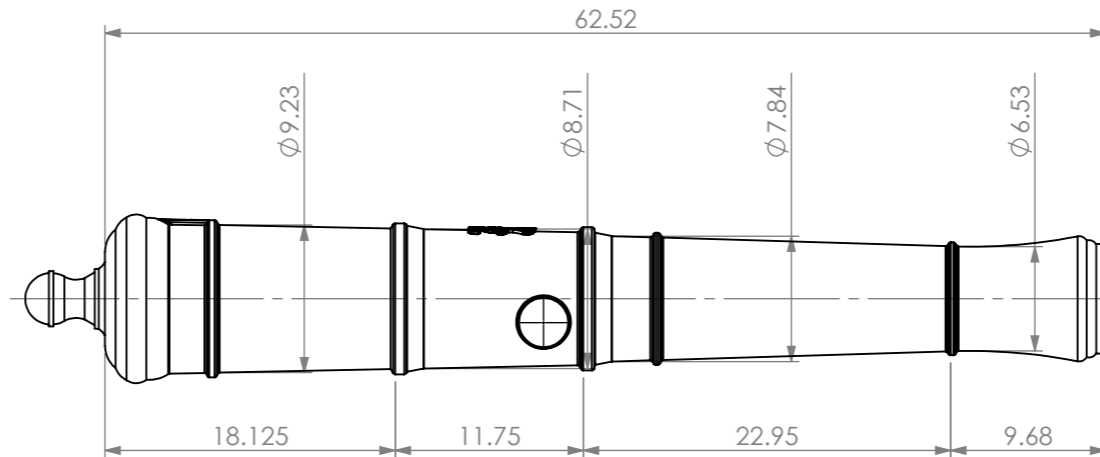
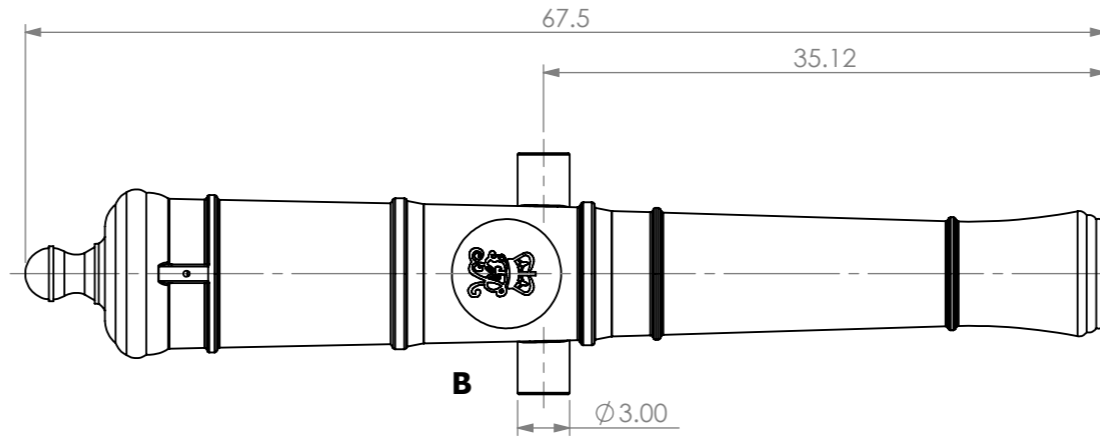
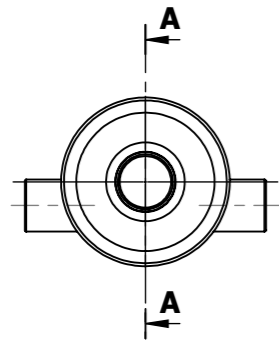


**DETAIL B**  
SCALE 1:4



**SECTION A-A**

NOTE: DRAWING SHOWN WITH 3.00" BORE  
FOR 3.20" BORE SCALE UP 1.067

SHEET 2 OF 2

**ARMSTRONG PATTERN  
3 POUND CANNON**

© COPYRIGHT MSW

SCALE:1:12

**A3**