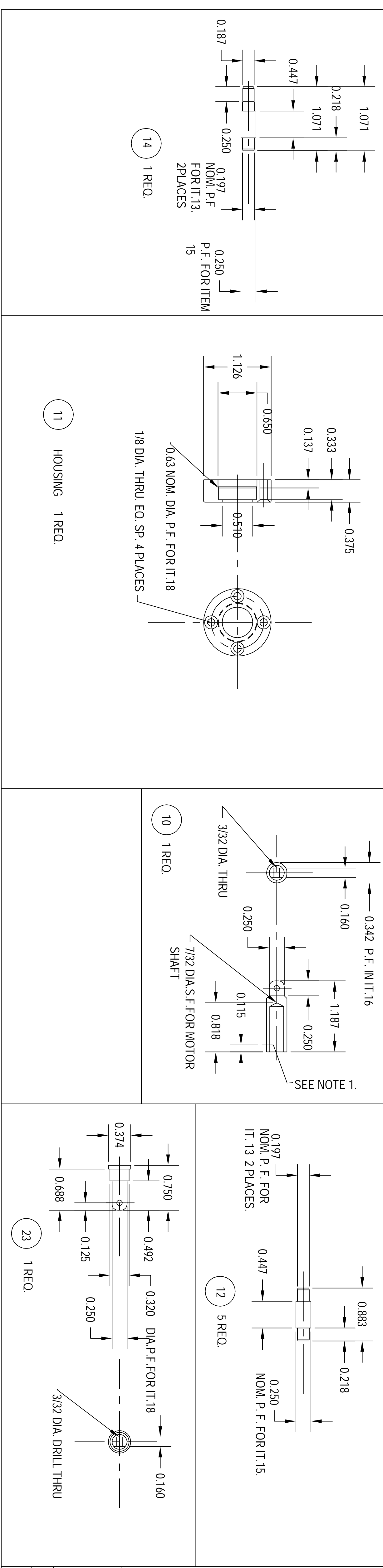
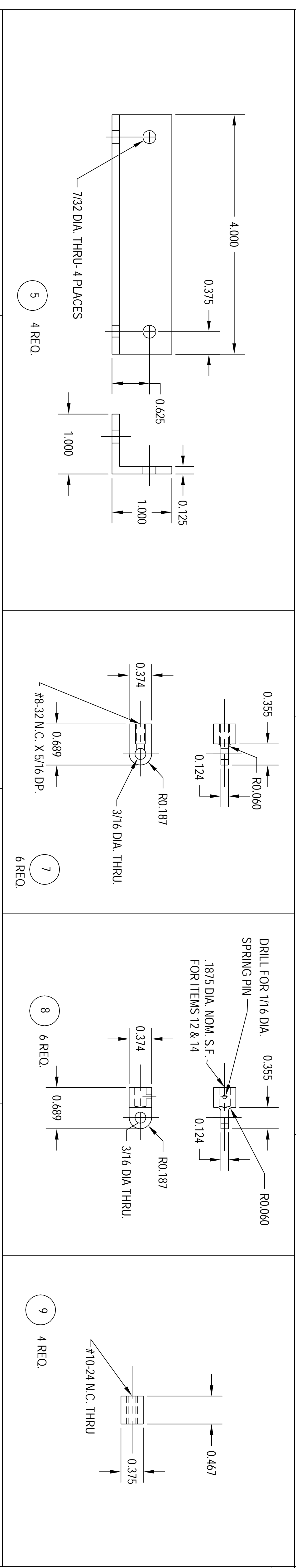


NOTES.
 1. DRILL & TAP #6-40 N.C. AFTER PRESSING IN ITEM 6.
 2. SEE SHEET 1 FOR BILL OF MATERIAL.

REVISION	DESCRIPTION	DATE



DWG. TITLE.

ROPEWALK---MOTORISED---DETAILS

DRAWN	DATE	SCALE	DWG. NO.	REV.
K.H.	JUL.2005	FULL	1056 SHEET 2 OF 2	