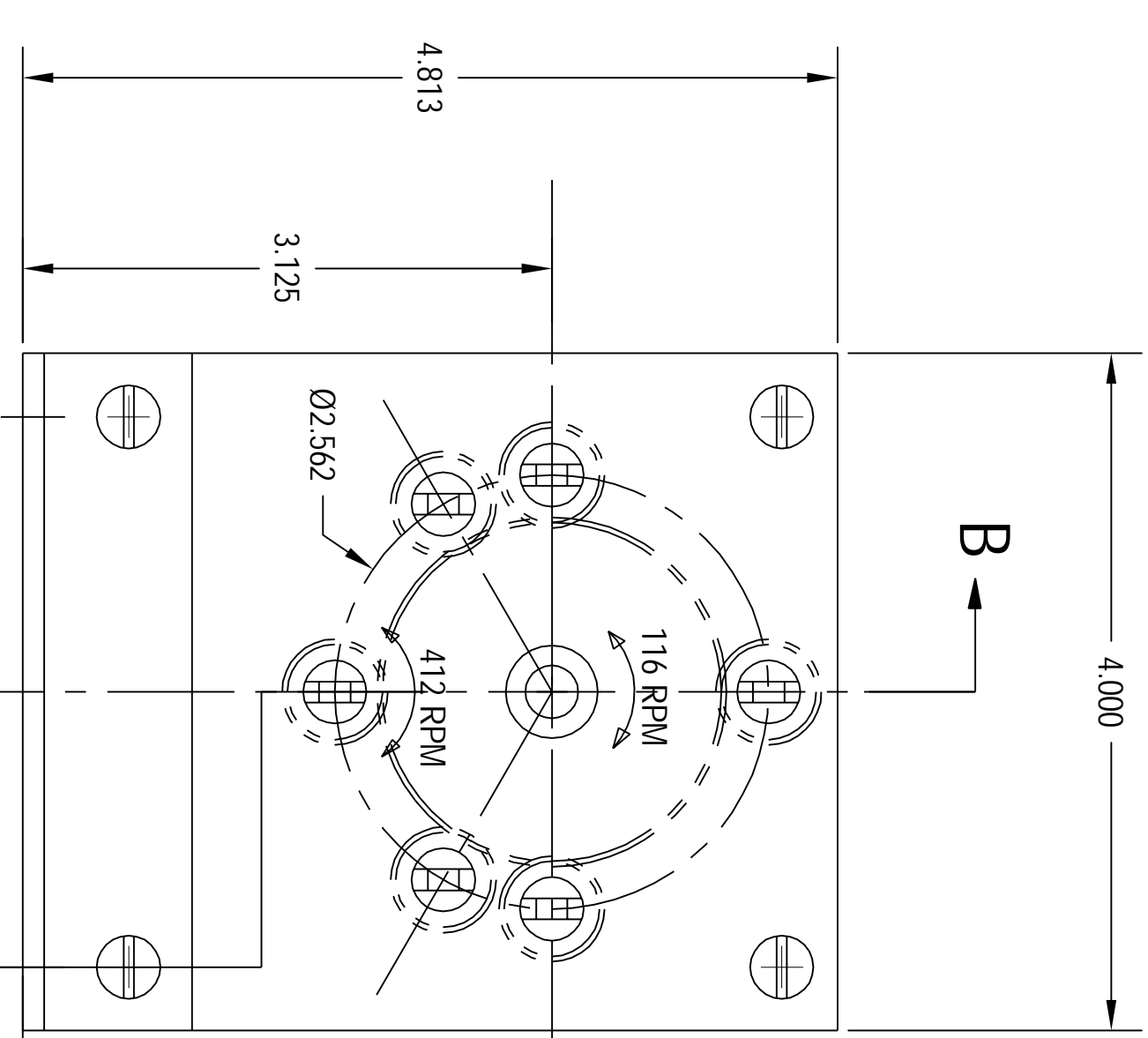
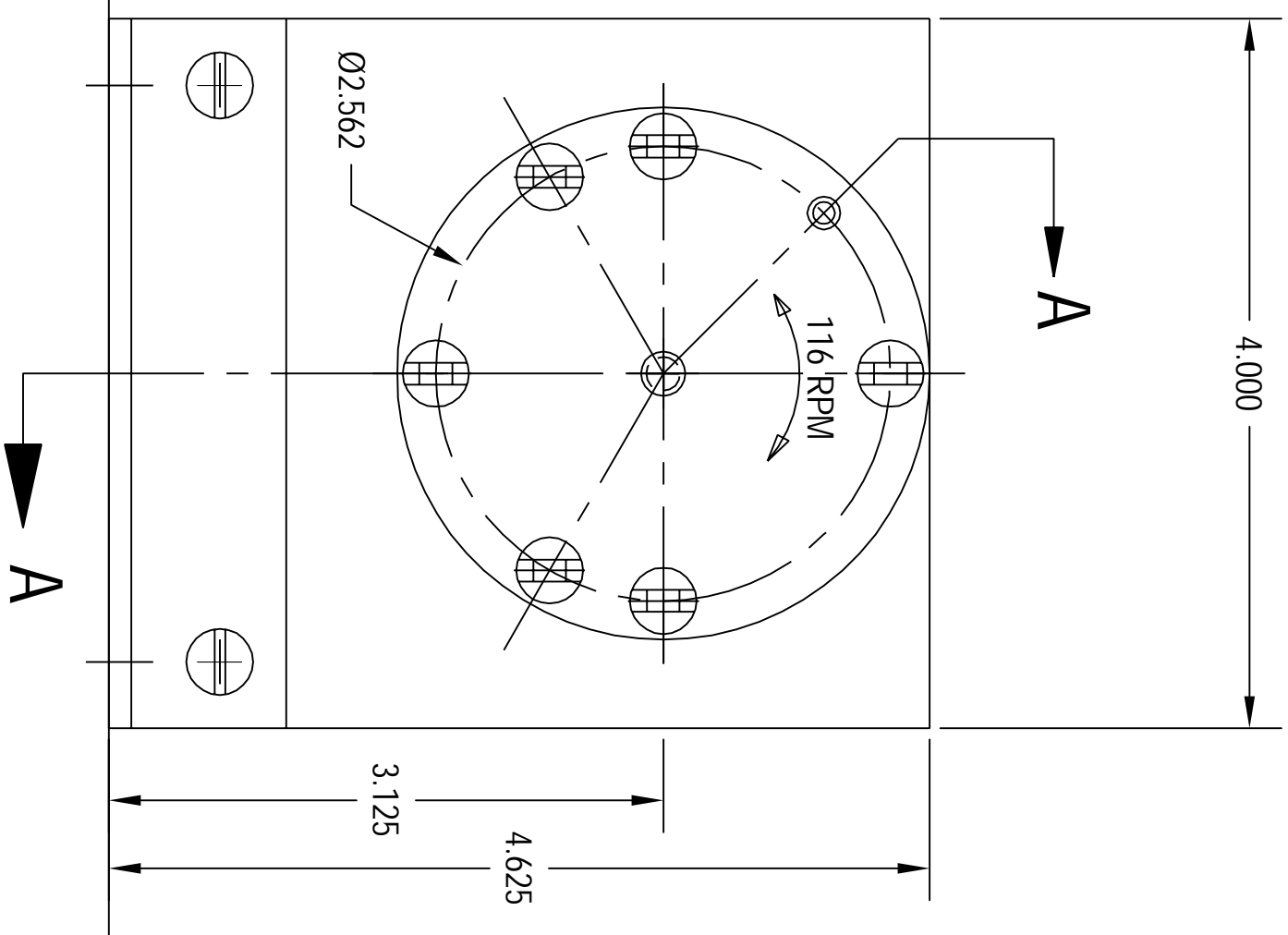
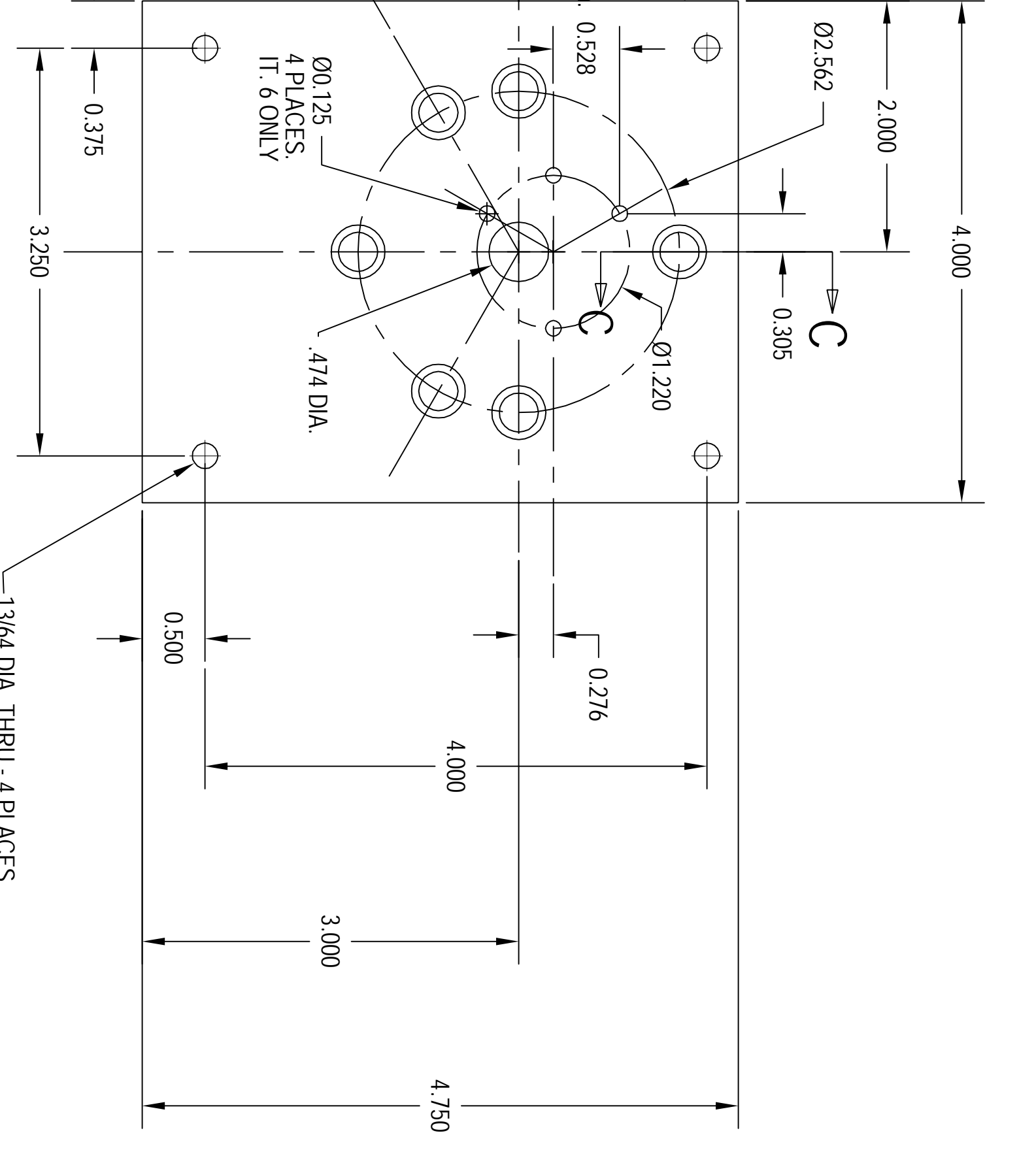
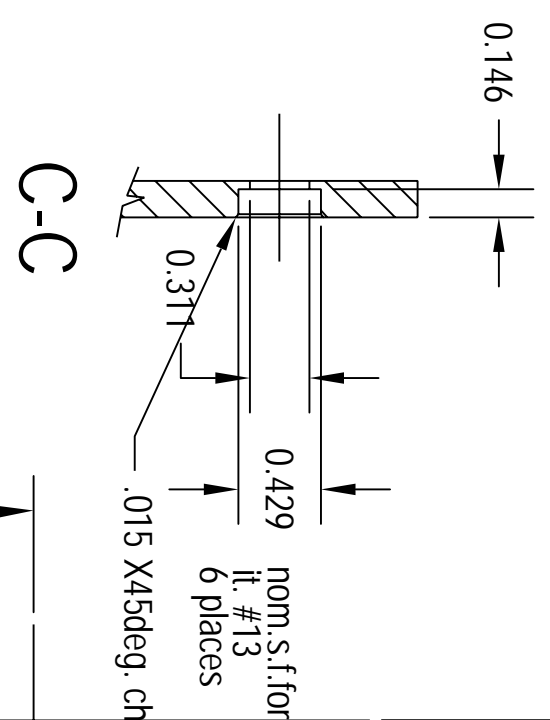
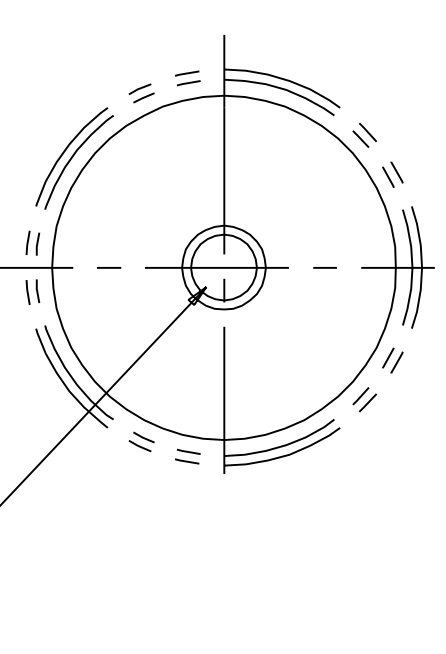
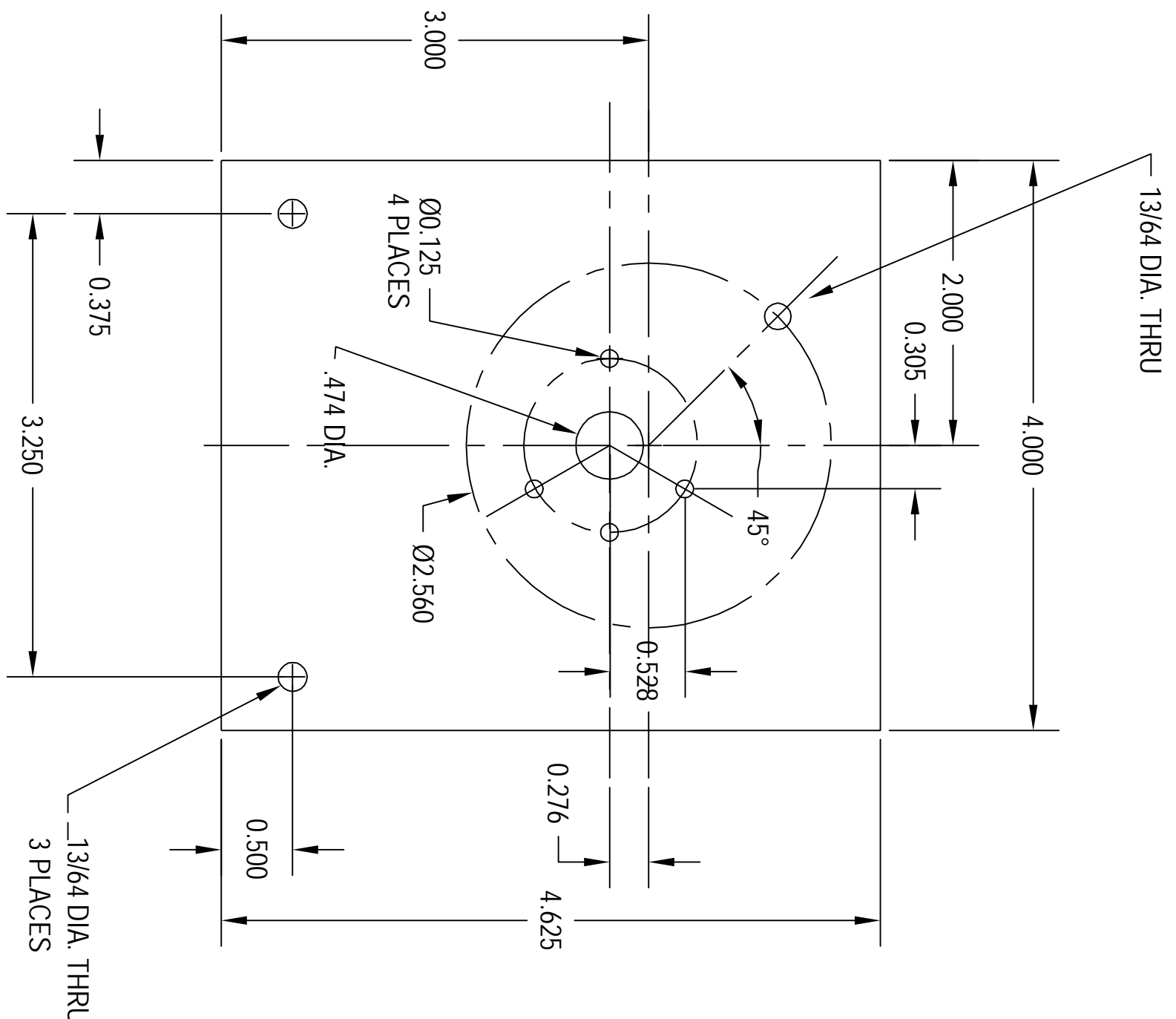
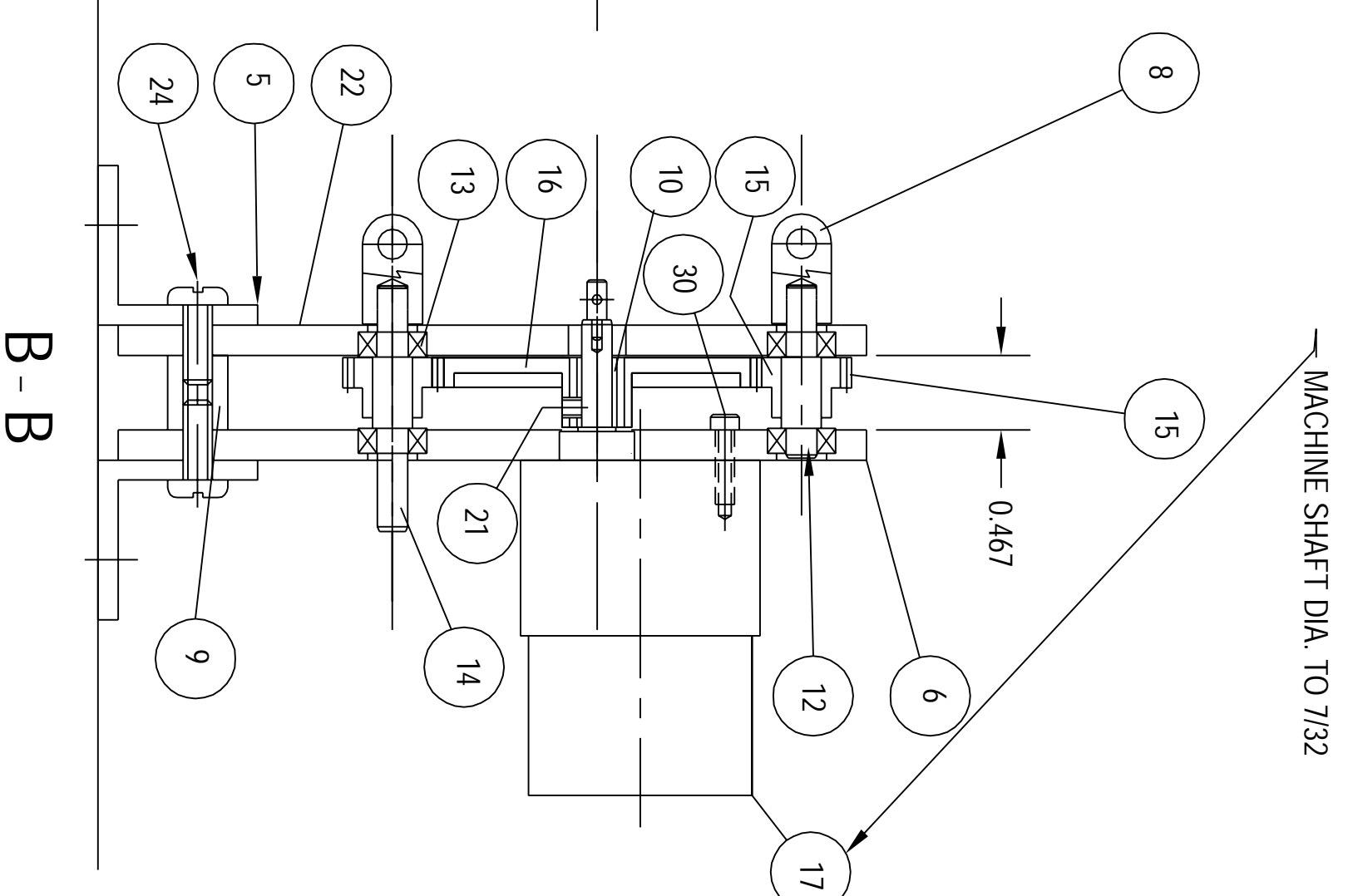


LOOPER



WHIRLS



WOPES.CO.COM

- THIS PART IS SOLD BY SMALL PARTS INC. 13980 N.W. 58TH COURT. P.O. BOX 4650. MIAMI LAKES, FLORIDA 33014-0650. TEL. 1-800-220-4242.
- IT #18 IS 8 X 16 X 6MM. DOUBLE SHIELDED AVAILABLE FROM HOBBY RACE CAR STORES
- IT #13 IS 5 X 11 X 4MM. DOUBLE SHIELDED AVAILABLE FROM HOBBY RACE CAR STORES.
- THESE PARTS ARE PURCHASED FROM SERV-O-LINK CORP.
- THESE PARTS PURCHASED FROM

19	1	WALL ADAPTER	114825CA (SEE NOTE 5)	
18	1	BALL BEARING	(SEE NOTE 2)	STL.
17	2	GEARMOTOR	161373CH (SEE NOTE 5)	
16	1	GEAR 64T	GC 644 (SEE NOTE 4)	DEL RIN
15	6	GEAR 18 T	GC 184 (SEE NOTE 4)	DEL RIN
14	1	PIN	1/4 DIA. X 1 1/2	M.S.
13	12	BALL BEARING	(SEE NOTE 3)	STL.
12	6	PIN	1/4 DIA. X 1 3/32	M.S.
11	1	HOUSING	3/8 DIA X 1 7/8	ALUM.
10	1	PIN-WHIRLS	3/8 DIA. X 1 1/4	M.S.
9	4	SPACER	3/8 DIA. X 1 5/32	M.S.
8	6	POST	3/8 DIA. X 1 1/16	M.S.
7	6	POST	3/8 DIA. X 1 1/16	M.S.
6	1	PLATE	3/16 X 4 X 3/4	ALUM.
5	4	ANGLE	1 X 1 X 1/8 X 4	ALUM.
4	1	LOCK PIN	3/16 DIA. X 2 1/4	M.S.
3	1	STUB SHAFT	3/8 DIA. X 5/8	M.S.
2	1	DISC	3/16 X 3 DIA.	ALUM.
1	1	PLATE	3/8 X 4 X 4 5/8	ALUM.

DWG. TITLE:

ROPEWALK---MOTORISED---ASSY. & DETAILS

DRAWN	DATE	SCALE	DWG. NO.	REV
K.H.	JUL. 2005	FULL	1056	SHT. 1 OF 2